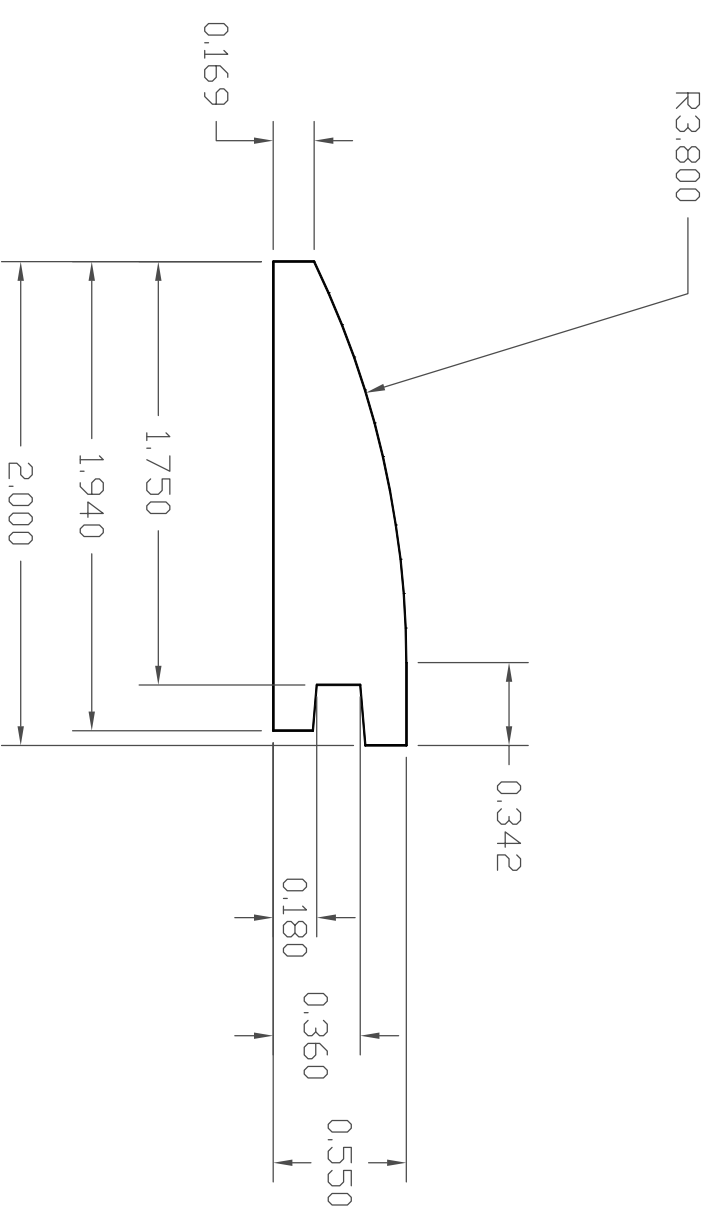
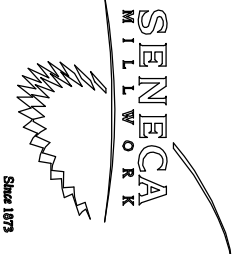


REVISIONS

REV	DESCRIPTION	DATE	APPROVED





**SENECA**  
MILLWORK  
Since 1873

Part No: 12AR  
Scale: NA

Drawn by: RLM	Checked by:	Date: 10/14/09
Filename: 12AR.dwg	Drawing No: 12AR-P.dwg	

Tolerances: ±0.010" Unless Noted

Production Drawing	Rev	Sheet
		1 of 3