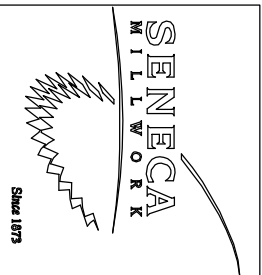
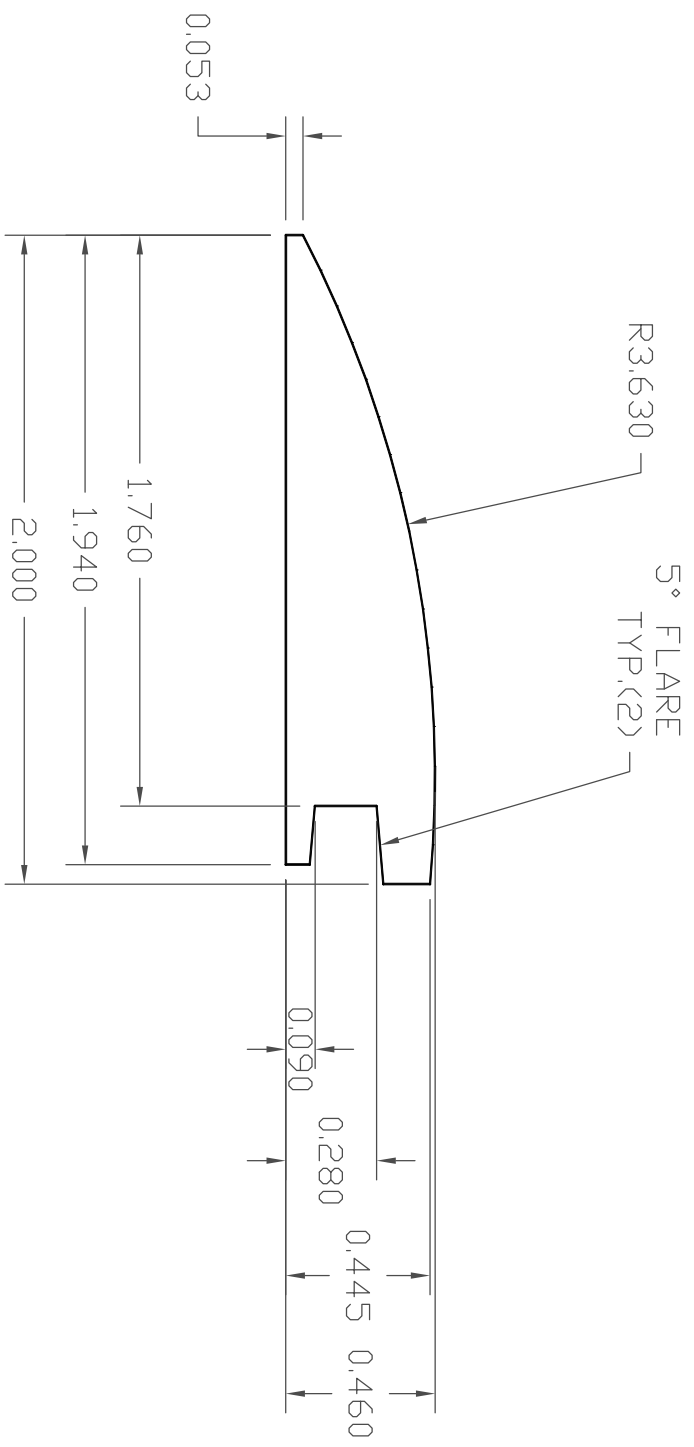


REVISIONS

REV	DESCRIPTION	DATE	APPROVED



Part No. 12ZR		Scale NA	
Drawn by RLM	Checked by	Date 12/04/09	
Filename 12ZR.dwg	Drawing No. 12ZR-P.dwg		
Tolerances: ±0.010" Unless Noted			
Production Drawing		Rev	Sheet 1 of 3