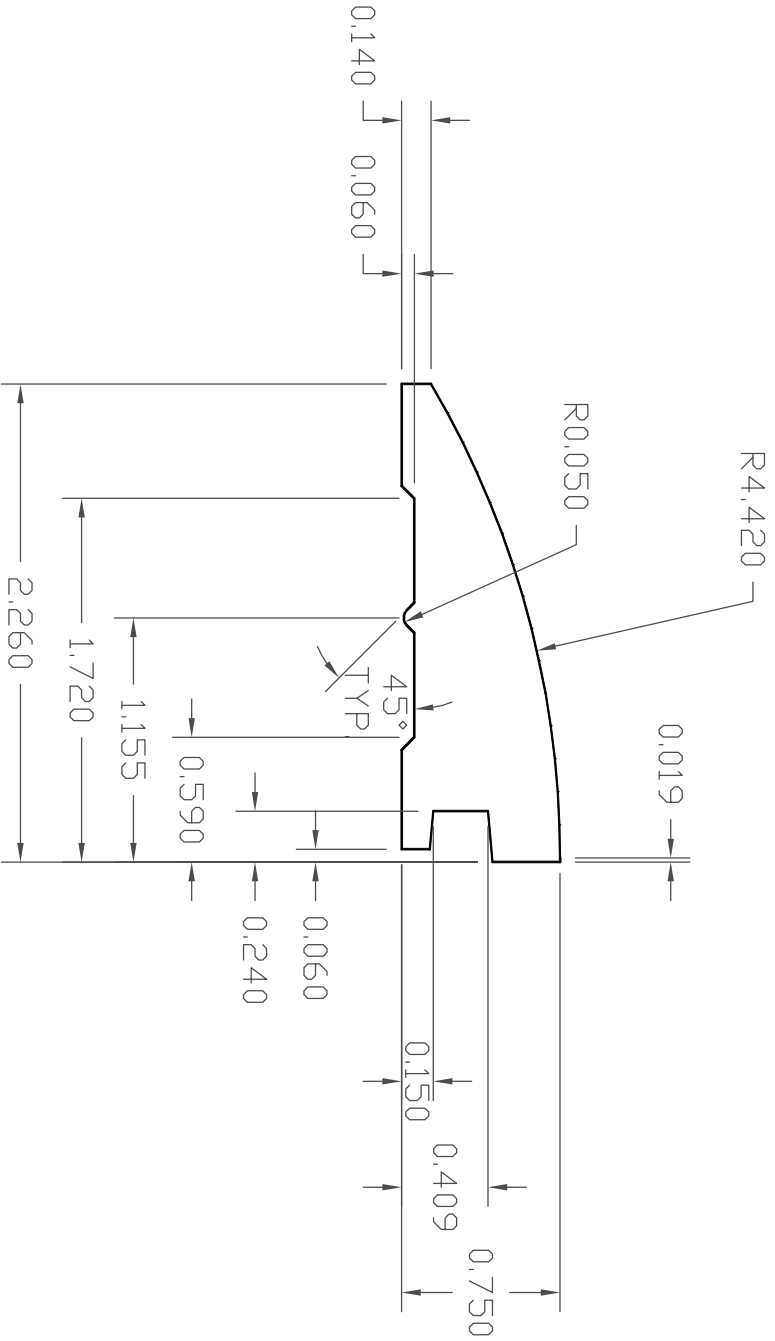


REVISIONS			
REV	DESCRIPTION	DATE	APPROVED



**SIENNECA**  
M I L L W O R K  
Since 1873

Part No. <b>34LR</b>	Scale NA	
Drawn by RLM	Checked by	Date 10/21/09
Filename 34LR.dwg	Drawing No. 34LR-P.dwg	
Tolerances: ±0.010" Unless Noted		
Production Drawing	Rev	Sheet 1 of 4