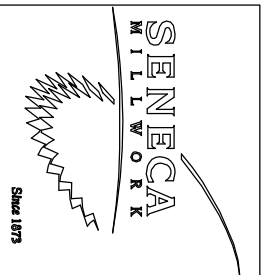
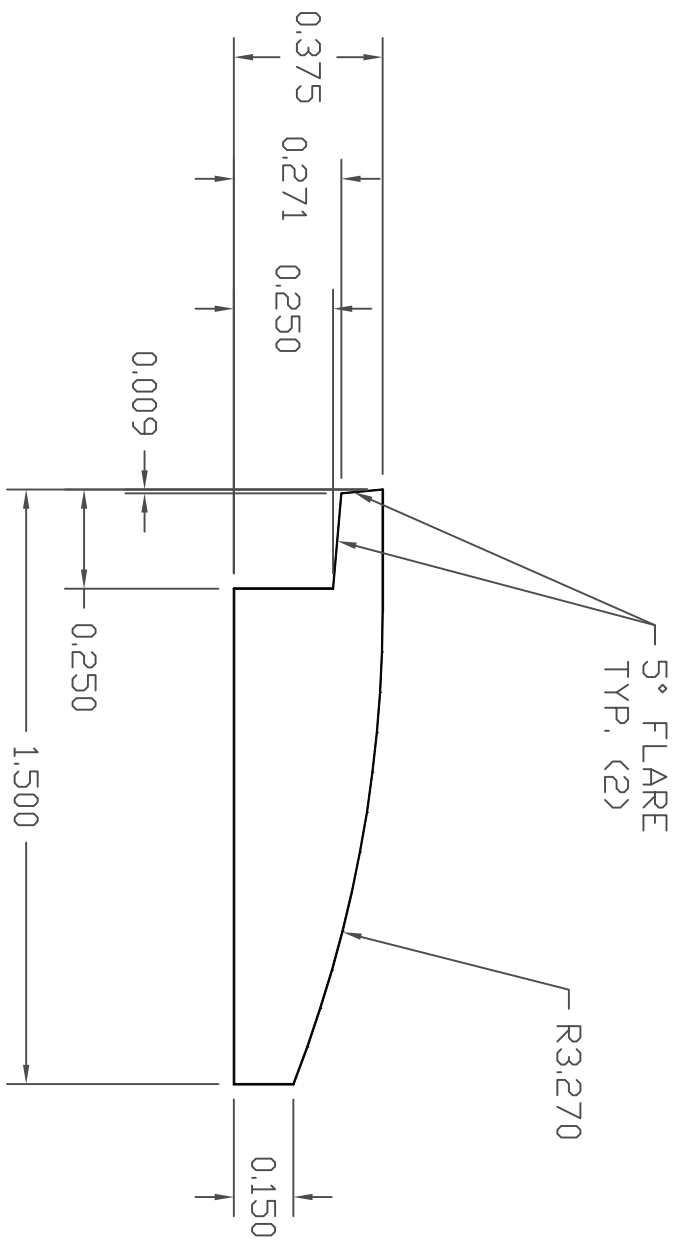


REVISIONS

REV	DESCRIPTION	DATE	APPROVED



Part No. 38RE		Scale NA	
Drawn by RLM	Checked by	Date 9/15/09	
Filename 38RE.dwg	Drawing No. 38RE-P.dwg		
Tolerances: ±0.010" Unless Noted			
Production Drawing		Rev	Sheet 1 of 3