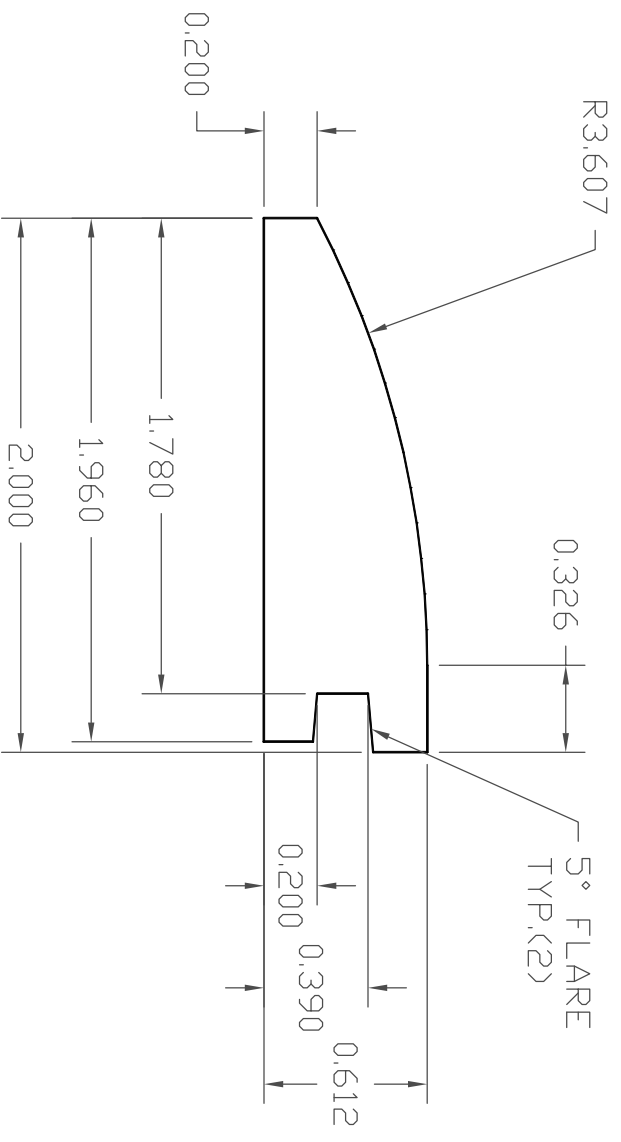
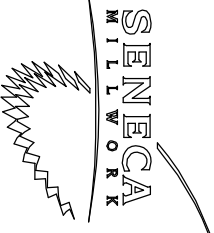


REVISIONS			
REV	DESCRIPTION	DATE	APPROVED





SENeca
MILLWORK
Since 1873

Part No: **96RR** Scale: **NA**

Drawn by: **RLM** Checked by: Date: **10/15/09**

Filename: **96RR.dwg** Drawing No: **96RR-P.dwg**

Tolerances: ±0.010" Unless Noted

Production Drawing

Rev	Sheet
	1 of 3