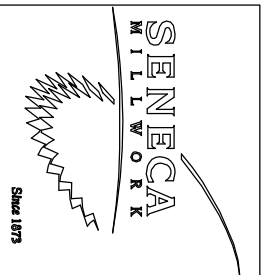
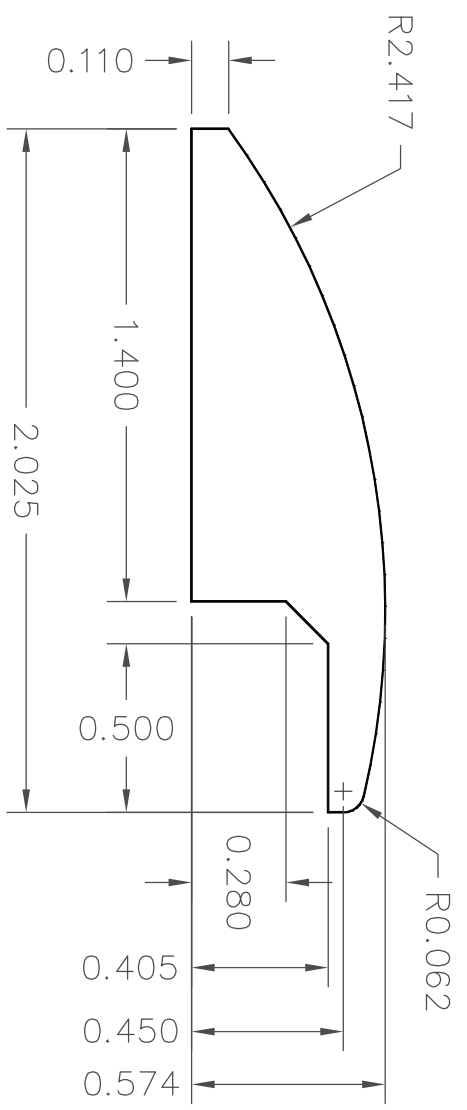


REVISIONS

REV	DESCRIPTION	DATE	APPROVED



Part No: HREDU		Scale NA	
Drawn by J. Hoyda	Checked by	Date 8/20/2009	
Filename HREDU.dwg	Drawing No. HREDU-P		
Tolerances: ±0.010" Unless Noted			
Production Drawing		Rev	Sheet 1 of 3